

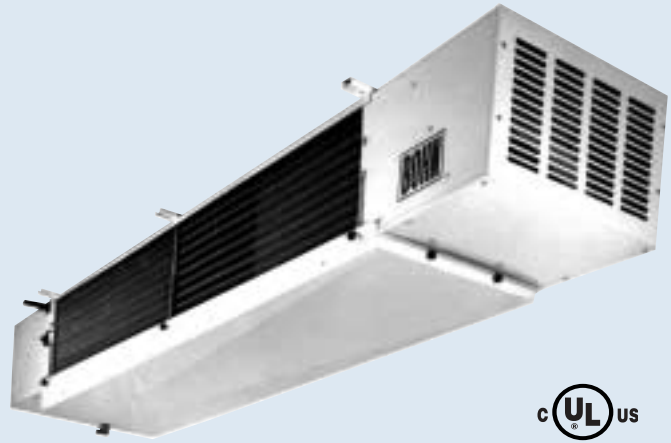
The Cold Standard

BULLETIN 301.4

April, 1995
Replaces 301.3

LO-AIRE® UNIT COOLERS

LO Air Defrost



ALSO CLASSIFIED
AS A COMPONENT
IN ACCORDANCE
WITH NSF 7 • 1999

STANDARD FEATURES

- Cross-fin coil with staggered tubing which increases air turbulence.
- Rust-free, all-aluminum white case for attractive appearance.
- Thermal overload protected motors which are resiliently mounted inside the unit to assure minimum noise level.
- Motors are factory-wired to the junction box of the units to speed installation.

LO-AIRE® UNIT COOLERS

Lo-Aire® unit coolers are ideal for meat storage and preparation rooms, floral coolers, dough retarding, and many other applications requiring low air velocities and low sound levels. With low velocity unit coolers high humidities can be maintained to prevent product drying and weight loss. Low air velocity and low sound level make these units ideal for any type of work room where human comfort is important.

Lo-Aire® unit coolers have an attractive and easy to clean white aluminum cabinet. The louvered intake grille is easy to clean. A double drain pan arrangement prevents drain pan sweating. Statically and dynamically balanced fans are designed for quiet air movement.

Cooling coils have corrugated aluminum fins spaced 6 per inch with 3/8 O.D. staggered copper tubes. Computer selected circuiting gives optimum heat transfer and the 3/8 O.D. tube reduces the amount

of refrigerant required. The generous coil surface helps to maintain steady room temperature and minimize product shrinkage.

Cooling coil inlet connections are sweat type to reduce the potential for leaks. A sweat type expansion valve should be used. The inlet connection is positioned to mount the expansion valve outside the cabinet; however, it can be field repositioned to mount the valve inside the cabinet. An external equalizer line is provided and an access port is on the suction connection so superheat can easily and accurately be set.

All motors are thermal overload protected and have lifetime lubrication. All electrical components are factory wired to the junction box for speedy installation.

A filter kit with polyester foam media is available for all models for field installation.

High efficiency PSC motors are optional on sizes 070 through 165. PSC motors are standard on sizes 189 through 266.

AIR DEFROST

Air defrost unit coolers are usually applied in 35° to 38° F storage rooms at 10° T.D. or 50° to 55° F work rooms at 20° T.D. To maintain high humidity in a storage room and prevent product drying an 8° to 10° T.D. system balance with low air velocity should be used.

PERFORMANCE DATA

Model LO Sizes	60 Hz.				50 Hz.			
	BTUH / kcal			CFM/ m ³ h	BTUH / kcal			CFM/ m ³ h
	10° TD	15° TD	20° TD		6° C TD	8° C TD	10° C TD	
070	7000 <i>1764</i>	10500 <i>2646</i>	14000 <i>3528</i>	1200 <i>2040</i>	7143 <i>1799</i>	9588 <i>2414</i>	11922 <i>3003</i>	1085 <i>1846</i>
087	8700 <i>2192</i>	13050 <i>3289</i>	17400 <i>4385</i>	1200 <i>2040</i>	8877 <i>2235</i>	11917 <i>3001</i>	14816 <i>3732</i>	1085 <i>1846</i>
118	11800 <i>2974</i>	17700 <i>4460</i>	23600 <i>5947</i>	1300 <i>2210</i>	12041 <i>3033</i>	16162 <i>4071</i>	20096 <i>5062</i>	1176 <i>1999</i>
125	12500 <i>3150</i>	18750 <i>4725</i>	25000 <i>6300</i>	1300 <i>2210</i>	12755 <i>3212</i>	17123 <i>4313</i>	21291 <i>5363</i>	1176 <i>1999</i>
150	15000 <i>3780</i>	22500 <i>5670</i>	30000 <i>7560</i>	1900 <i>3230</i>	15306 <i>3855</i>	20546 <i>5174</i>	25547 <i>6435</i>	1719 <i>2922</i>
165	16500 <i>4158</i>	24750 <i>6237</i>	33000 <i>8316</i>	1900 <i>3230</i>	16836 <i>4241</i>	22601 <i>5693</i>	28104 <i>7079</i>	1719 <i>2922</i>
189	18900 <i>4762</i>	28350 <i>7144</i>	37800 <i>9526</i>	2400 <i>4080</i>	19285 <i>4856</i>	25888 <i>6521</i>	32189 <i>8108</i>	2171 <i>3691</i>
225	22500 <i>5670</i>	33750 <i>8505</i>	45000 <i>11340</i>	2700 <i>4590</i>	22958 <i>5782</i>	30819 <i>7763</i>	38322 <i>9653</i>	2443 <i>4153</i>
266	26600 <i>6703</i>	39900 <i>10055</i>	53200 <i>13406</i>	3200 <i>5440</i>	27142 <i>6836</i>	36433 <i>9177</i>	45302 <i>11411</i>	2895 <i>4922</i>

* 7/8 inlet on hot gas defrost models.

† PSC motors.

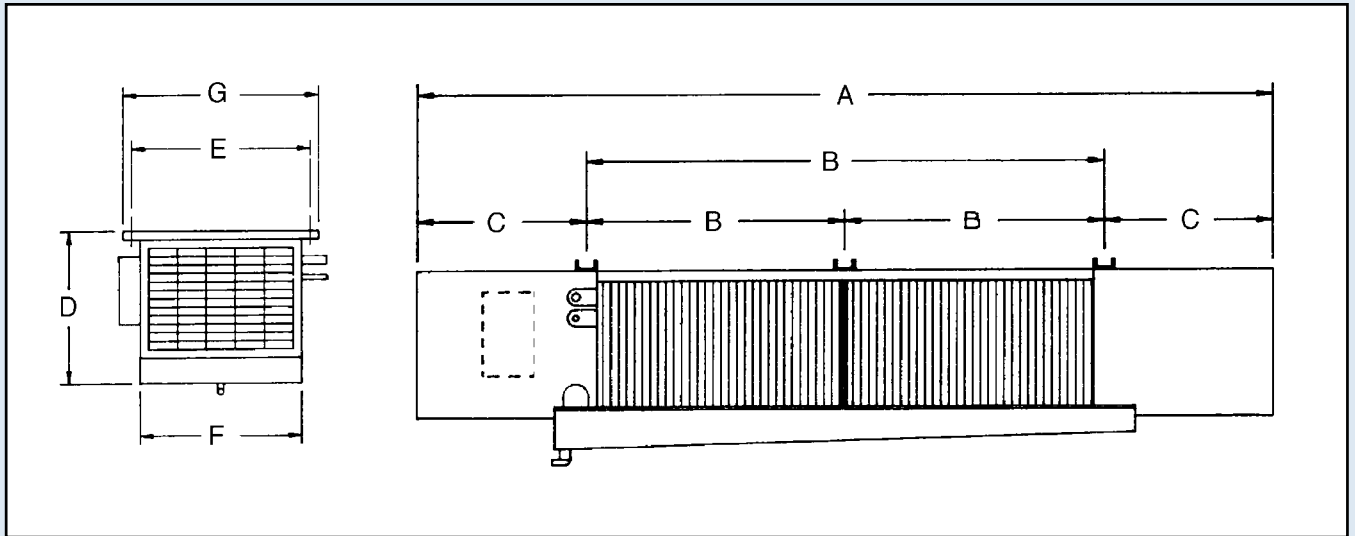
ELECTRICAL DATA

Model LO Sizes	Motor Amps		Connections (O.D.)	
	115 V.	230 V.	Inlet	Suction
070	3.6	1.8	1/2	7/8
087	3.6	1.8	1/2	7/8
118	3.6	1.8	1/2	7/8
125	3.6	1.8	1/2	7/8
150	3.6	1.8	1/2	1 1/8
165	3.6	1.8	1/2	1 1/8
189	2.8†	1.4†	1/2	1 1/8
225	2.8†	1.4†	1/2	1 1/8
266	2.8†	1.4†	1/2	1 3/8

† PSC motors.

Bohn reserves the right to make changes in specifications or design, at any time, without notice and without liability to purchasers or owners of previously sold equipment.

SPECIFICATIONS



DIMENSIONAL DATA

Model LO Sizes	Dimensions (Inches - <i>cm</i>)							Approx. Net Weight (Lbs. - <i>kg</i>)
	A	B	C	D	E	F	G	
070	83 <i>211</i>	49 <i>124</i>	17 <i>43</i>	14 <i>36</i>	22 <i>56</i>	19 1/2 <i>50</i>	23 1/4 <i>59</i>	178 <i>81</i>
087	83 <i>211</i>	49 <i>124</i>	17 <i>43</i>	14 <i>36</i>	22 <i>56</i>	19 1/2 <i>50</i>	23 1/4 <i>59</i>	189 <i>86</i>
118	111 <i>282</i>	38 1/2 <i>98</i>	17 <i>43</i>	14 1/2 <i>37</i>	22 <i>56</i>	19 1/2 <i>50</i>	23 1/4 <i>59</i>	262 <i>119</i>
125	111 <i>282</i>	38 1/2 <i>98</i>	17 <i>43</i>	14 1/2 <i>37</i>	22 <i>56</i>	19 1/2 <i>50</i>	23 1/4 <i>59</i>	264 <i>120</i>
150	114 <i>290</i>	38 1/2 <i>98</i>	18 1/2 <i>47</i>	16 <i>41</i>	22 <i>56</i>	19 1/2 <i>50</i>	23 1/4 <i>59</i>	280 <i>127</i>
165	114 <i>290</i>	38 1/2 <i>98</i>	18 1/2 <i>47</i>	16 <i>41</i>	22 <i>56</i>	19 1/2 <i>50</i>	23 1/4 <i>59</i>	285 <i>129</i>
189	134 <i>340</i>	48 1/2 <i>123</i>	18 1/2 <i>47</i>	16 1/2 <i>42</i>	22 <i>56</i>	19 1/2 <i>50</i>	23 1/4 <i>59</i>	298 <i>135</i>
225	153 <i>389</i>	58 <i>147</i>	18 1/2 <i>47</i>	16 1/2 <i>42</i>	22 <i>56</i>	19 1/2 <i>50</i>	23 1/4 <i>59</i>	366 <i>166</i>
266	158 <i>401</i>	58 <i>147</i>	21 <i>53</i>	20 <i>51</i>	27 <i>69</i>	24 1/2 <i>62</i>	28 1/4 <i>72</i>	405 <i>184</i>



A Brand of Heatcraft Refrigeration Products LLC

2175 West Park Place Blvd. • Stone Mountain, GA 30087
770.465.5600 • Fax: 770.465.5990
www.heatcraftprd.com

